



Model # 8330

**HEAVY DUTY
PLASTIC 2 SHELF
UTILITY CART**

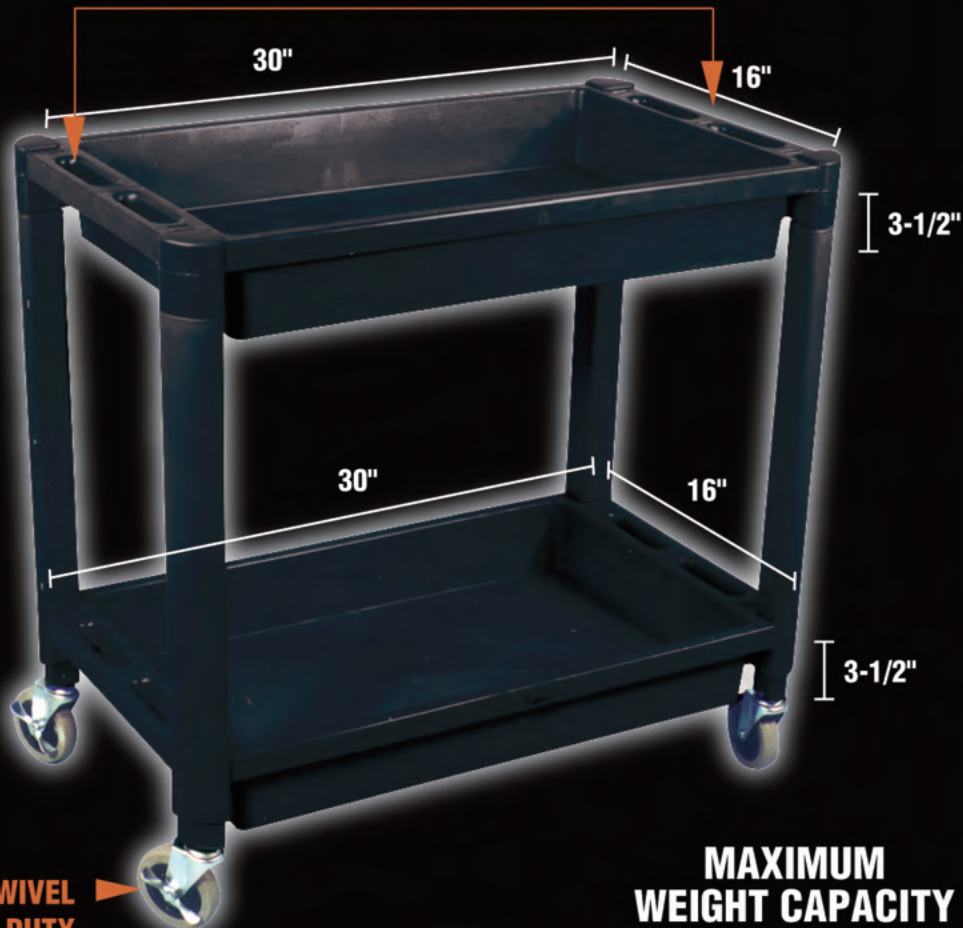
SALES AND MARKETING

2417 SEAMAN AVENUE
SOUTH EL MONTE, CA 91733
Phone: (800) 221-9705
USA Toll Free
Fax: (877) 318-2194
Phone: (626) 228-3170
Fax: (626) 228-3124

372 OLD US HIGHWAY
52 SOUTH
MT. AIRY, NC 27030
(800) 221-9705
Phone: (336) 786-6432
Fax: (336) 786-4992

2 HANDLES ON EACH SIDE

cart can be pushed or pulled from either side



4\"/>

**MAXIMUM
WEIGHT CAPACITY
300lbs
(150lbs per shelf)**

Model	Overall Cart Size	Net Weight
8330	30" (L) x 16" (W) x 31" (H)	21lbs. (9.52kg)

**FOR USE IN
AUTOMOTIVE REPAIR SHOPS,
WAREHOUSES, OFFICES, ETC**



**E-mail : astrotools@astrotools.com
WEBSITE : www.astrotools.com**



SHOP EQUIPMENT

